



COLECAO



SIZES



WATTS



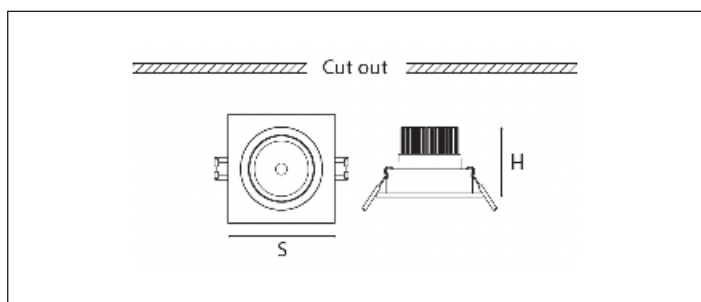
BEAM ANGLES



INGRESS

COLECAO

recessed luminaires
square | fixed



Colecao adjustable 'square' downlight collection offers multiple options to choose from wattages ranging between 6W - 27W in all standard symmetric beam options and as made available across 3 varied size options to adopt to site requirements with 'single', 'double' and 'triple' configurations' within the standard color spectrum.

The complete range is IP20 suitable for indoor applications as offered.

CCT of 5000K and 6000K are also available on request. Standard protocol for fixed output driver is offered in our article coding. Dimmable driver options are available on request.

Technical Data

CREE **bridgelux** **EPISTAR**

Body	Die Cast Aluminium
LED Type	COB
Colour Deviation	<2 SDCM
Colour Rendering Index	+90
Lumen Maintenance	L90 / B10 50000 hours
Driver	Integral
Dimmability	DALI (on request)
IP Rating	IP 20
Protection Class	Class II

Dimensions (mm)

	L	B	H	Cut Out
Size 1	83	83	68	73
Size 2	93	93	68	78
Size 3	125	125	95	115

Certifications



Available Options

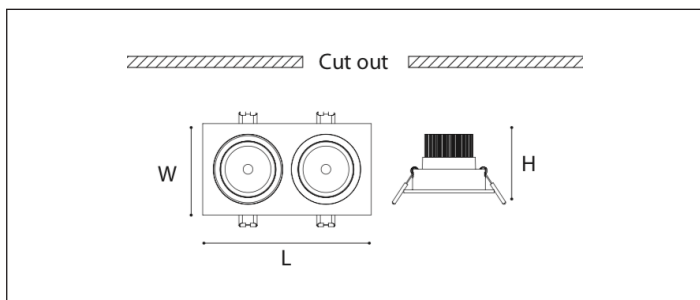
Light Distribution		Watt	Lumen	Colour Temp	Finishes
15 deg	Spot (S)	6	510	2700 K	White
	60 deg	9	765		
24 deg	Medium (M)	15	1725	3000 K	Black
38 deg	Medium (M)			4000 K	White - Black

AEWIS

We reserve the right for technical and design changes
For latest product update please refer www.aewis.com

COLECAO

recessed luminaires
square | fixed



Colecao adjustable 'square' downlight collection offers multiple options to choose from wattages ranging between 6W - 27W in all standard symmetric beam options and as made available across 3 varied size options to adopt to site requirements with 'single', 'double' and 'triple' configurations' within the standard color spectrum.

The complete range is IP20 suitable for indoor applications as offered.

CCT of 5000K and 6000K are also available on request. Standard protocol for fixed output driver is offered in our article coding. Dimmable driver options are available on request.

Technical Data

CREE **bridgelux** **EPISTAR**

Body	Die Cast Aluminium
LED Type	COB
Colour Deviation	<2 SDCM
Colour Rendering Index	+90
Lumen Maintenance	L90 / B10 50000 hours
Driver	Integral
Dimmability	DALI (on request)
IP Rating	IP 20
Protection Class	Class II

Dimensions (mm)

	L	B	H	Cut Out
Size 1	175	95	68	165 x 83
Size 2	253	93	68	243 x 83

Certifications



Available Options

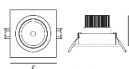
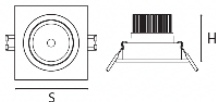
Light Distribution		Watt	Lumen	Colour Temp	Finishes
15 deg	Spot (S)	2 x 9	1600	2700 K	White
	60 deg	Flood (F)	3 x 9		
24 deg	Medium (M)			3000 K	Black
	Wall Wash				Wash (WW)
38 deg	Medium (M)			4000 K	White Black

AEWIS

We reserve the right for technical and design changes
For latest product update please refer www.aewis.com

COLECAO

recessed luminaires
square | fixed

Size 1	Article Reference	Finish	Watt	Lumen	Colour Temp	Beam Angle	
 <p>Length - 83 mm Breadth - 83 mm Height - 68 mm Cutout - 73 x 73 mm</p>	CO 111 006 2 S	White	6	510 lm	2700 K	15 deg	
	CO 111 006 3 S	White	6	510 lm	3000 K	15 deg	
	CO 111 006 4 S	White	6	510 lm	4000 K	15 deg	
	CO 121 006 2 S	Black	6	510 lm	2700 K	15 deg	
	CO 121 006 3 S	Black	6	510 lm	3000 K	15 deg	
	CO 121 006 4 S	Black	6	510 lm	4000 K	15 deg	
	CO 131 006 2 S	White - Black	6	510 lm	2700 K	15 deg	
	CO 131 006 3 S	White - Black	6	510 lm	3000 K	15 deg	
	CO 131 006 4 S	White - Black	6	510 lm	4000 K	15 deg	
	CO 111 006 2 M	White	6	510 lm	2700 K	38 deg	
	CO 111 006 3 M	White	6	510 lm	3000 K	38 deg	
	CO 111 006 4 M	White	6	510 lm	4000 K	38 deg	
	CO 121 006 2 M	Black	6	510 lm	2700 K	38 deg	
	CO 121 006 3 M	Black	6	510 lm	3000 K	38 deg	
	CO 121 006 4 M	Black	6	510 lm	4000 K	38 deg	
	CO 131 006 2 M	White - Black	6	510 lm	2700 K	38 deg	
	CO 131 006 3 M	White - Black	6	510 lm	3000 K	38 deg	
	CO 131 006 4 M	White - Black	6	510 lm	4000 K	38 deg	
	CO 111 006 2 F	White	6	510 lm	2700 K	60 deg	
	CO 111 006 3 F	White	6	510 lm	3000 K	60 deg	
	CO 111 006 4 F	White	6	510 lm	4000 K	60 deg	
	CO 121 006 2 F	Black	6	510 lm	2700 K	60 deg	
	CO 121 006 3 F	Black	6	510 lm	3000 K	60 deg	
	CO 121 006 4 F	Black	6	510 lm	4000 K	60 deg	
	CO 131 006 2 F	White - Black	6	510 lm	2700 K	60 deg	
	CO 131 006 3 F	White - Black	6	510 lm	3000 K	60 deg	
	CO 131 006 4 F	White - Black	6	510 lm	4000 K	60 deg	
	 <p>Length - 93 mm Breadth - 93 mm Height - 68 mm Cutout - 78 x 78 mm</p>	CO 112 009 2 S	White	9	765 lm	2700 K	15 deg
		CO 112 009 3 S	White	9	765 lm	3000 K	15 deg
		CO 112 009 4 S	White	9	765 lm	4000 K	15 deg
		CO 122 009 2 S	Black	9	765 lm	2700 K	15 deg
		CO 122 009 3 S	Black	9	765 lm	3000 K	15 deg
		CO 122 009 4 S	Black	9	765 lm	4000 K	15 deg
CO 132 009 2 S		White - Black	9	765 lm	2700 K	15 deg	
CO 132 009 3 S	White - Black	9	765 lm	3000 K	15 deg		

AEWIS

We reserve the right for technical and design changes
For latest product update please refer www.aewis.com

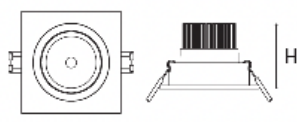
COLECAO

recessed luminaires
square | fixed

Article Reference	Finish	Watt	Lumen	Colour Temp	Beam Angle
CO 132 009 4 S	White - Black	9	765 lm	4000 K	15 deg
CO 112 009 2 M	White	9	765 lm	2700 K	38 deg
CO 112 009 3 M	White	9	765 lm	3000 K	38 deg
CO 112 009 4 M	White	9	765 lm	4000 K	38 deg
CO 122 009 2 M	Black	9	765 lm	2700 K	38 deg
CO 122 009 3 M	Black	9	765 lm	3000 K	38 deg
CO 122 009 4 M	Black	9	765 lm	4000 K	38 deg
CO 132 009 2 M	White - Black	9	765 lm	2700 K	38 deg
CO 132 009 3 M	White - Black	9	765 lm	3000 K	38 deg
CO 132 009 4 M	White - Black	9	765 lm	4000 K	38 deg
CO 112 009 2 F	White	9	765 lm	2700 K	60 deg
CO 112 009 3 F	White	9	765 lm	3000 K	60 deg
CO 112 009 4 F	White	9	765 lm	4000 K	60 deg
CO 122 009 2 F	Black	9	765 lm	2700 K	60 deg
CO 122 009 3 F	Black	9	765 lm	3000 K	60 deg
CO 122 009 4 F	Black	9	765 lm	4000 K	60 deg
CO 132 009 2 F	White - Black	9	765 lm	2700 K	60 deg
CO 132 009 3 F	White - Black	9	765 lm	3000 K	60 deg
CO 132 009 4 F	White - Black	9	765 lm	4000 K	60 deg

Size 3

/// Cut out ///



S
Length - 125 mm
Breadth - 125 mm
Height - 95 mm
Cutout - 115 x 115 mm

CO 113 015 2 S	White	15	1275 lm	2700 K	15 deg
CO 113 015 3 S	White	15	1275 lm	3000 K	15 deg
CO 113 015 4 S	White	15	1275 lm	4000 K	15 deg
CO 123 015 2 S	Black	15	1275 lm	2700 K	15 deg
CO 123 015 3 S	Black	15	1275 lm	3000 K	15 deg
CO 123 015 4 S	Black	15	1275 lm	4000 K	15 deg
CO 133 015 2 S	White - Black	15	1275 lm	2700 K	15 deg
CO 133 015 3 S	White - Black	15	1275 lm	3000 K	15 deg
CO 133 015 4 S	White - Black	15	1275 lm	4000 K	15 deg
CO 113 015 2 M	White	15	1275 lm	2700 K	38 deg
CO 113 015 3 M	White	15	1275 lm	3000 K	38 deg
CO 113 015 4 M	White	15	1275 lm	4000 K	38 deg
CO 123 015 2 M	Black	15	1275 lm	2700 K	38 deg
CO 123 015 3 M	Black	15	1275 lm	3000 K	38 deg
CO 123 015 4 M	Black	15	1275 lm	4000 K	38 deg
CO 133 015 2 M	White - Black	15	1275 lm	2700 K	38 deg

AEWIS

We reserve the right for technical and design changes
For latest product update please refer www.aewis.com

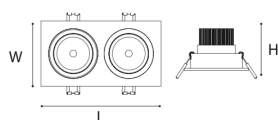
COLECAO

recessed luminaires
square | fixed

Article Reference	Finish	Watt	Lumen	Colour Temp	Beam Angle
CO 133 015 3 M	White - Black	15	1275 lm	3000 K	38 deg
CO 133 015 4 M	White - Black	15	1275 lm	4000 K	38 deg
CO 113 015 2 F	White	15	1275 lm	2700 K	60 deg
CO 113 015 3 F	White	15	1275 lm	3000 K	60 deg
CO 113 015 4 F	White	15	1275 lm	4000 K	60 deg
CO 123 015 2 F	Black	15	1275 lm	2700 K	60 deg
CO 123 015 3 F	Black	15	1275 lm	3000 K	60 deg
CO 123 015 4 F	Black	15	1275 lm	4000 K	60 deg
CO 133 015 2 F	White - Black	15	1275 lm	2700 K	60 deg
CO 133 015 3 F	White - Black	15	1275 lm	3000 K	60 deg
CO 133 015 4 F	White - Black	15	1275 lm	4000 K	60 deg

Size 4

/// Cut out ///



Length - 175 mm
Breadth - 95 mm
Height - 68 mm
Cutout - 165 x 83

CO 114 018 2 S	White	2 x 9	1600 lm	2700 K	15 deg
CO 114 018 3 S	White	2 x 9	1600 lm	3000 K	15 deg
CO 114 018 4 S	White	2 x 9	1600 lm	4000 K	15 deg
CO 124 018 2 S	Black	2 x 9	1600 lm	2700 K	15 deg
CO 124 018 3 S	Black	2 x 9	1600 lm	3000 K	15 deg
CO 124 018 4 S	Black	2 x 9	1600 lm	4000 K	15 deg
CO 134 018 2 S	White - Black	2 x 9	1600 lm	2700 K	15 deg
CO 134 018 3 S	White - Black	2 x 9	1600 lm	3000 K	15 deg
CO 134 018 4 S	White - Black	2 x 9	1600 lm	4000 K	15 deg
CO 114 018 2 M	White	2 x 9	1600 lm	2700 K	38 deg
CO 114 018 3 M	White	2 x 9	1600 lm	3000 K	38 deg
CO 114 018 4 M	White	2 x 9	1600 lm	4000 K	38 deg
CO 124 018 2 M	Black	2 x 9	1600 lm	2700 K	38 deg
CO 124 018 3 M	Black	2 x 9	1600 lm	3000 K	38 deg
CO 124 018 4 M	Black	2 x 9	1600 lm	4000 K	38 deg
CO 134 018 2 M	White - Black	2 x 9	1600 lm	2700 K	38 deg
CO 134 018 3 M	White - Black	2 x 9	1600 lm	3000 K	38 deg
CO 134 018 4 M	White - Black	2 x 9	1600 lm	4000 K	38 deg
CO 114 018 2 F	White	2 x 9	1600 lm	2700 K	60 deg
CO 114 018 3 F	White	2 x 9	1600 lm	3000 K	60 deg
CO 114 018 4 F	White	2 x 9	1600 lm	4000 K	60 deg
CO 124 018 2 F	Black	2 x 9	1600 lm	2700 K	60 deg
CO 124 018 3 F	Black	2 x 9	1600 lm	3000 K	60 deg
CO 124 018 4 F	Black	2 x 9	1600 lm	4000 K	60 deg

AEWIS

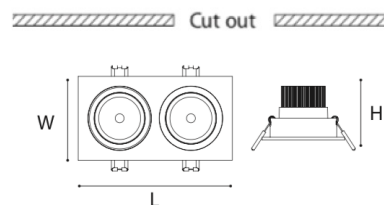
We reserve the right for technical and design changes
For latest product update please refer www.aewis.com

COLECAO

recessed luminaires
square | fixed

Article Reference	Finish	Watt	Lumen	Colour Temp	Beam Angle
CO 134 018 2 F	White - Black	2 x 9	1600 lm	2700 K	60 deg
CO 134 018 3 F	White - Black	2 x 9	1600 lm	3000 K	60 deg
CO 134 018 4 F	White - Black	2 x 9	1600 lm	4000 K	60 deg

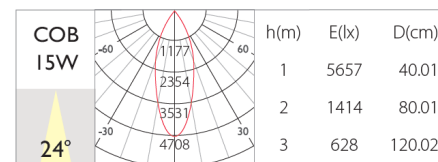
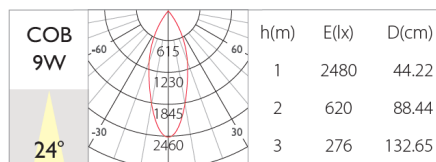
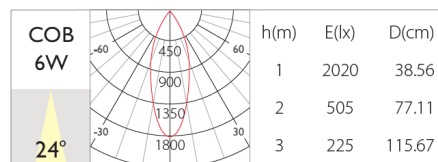
Size 5



Length - 253 mm
Breadth - 93 mm
Height - 68 mm
Cutout - 243 x 83

CO 115 027 2 S	White	3 x 9	2300 lm	2700 K	15 deg
CO 115 027 3 S	White	3 x 9	2300 lm	3000 K	15 deg
CO 115 027 4 S	White	3 x 9	2300 lm	4000 K	15 deg
CO 125 027 2 S	Black	3 x 9	2300 lm	2700 K	15 deg
CO 125 027 3 S	Black	3 x 9	2300 lm	3000 K	15 deg
CO 125 027 4 S	Black	3 x 9	2300 lm	4000 K	15 deg
CO 135 027 2 S	White - Black	3 x 9	2300 lm	2700 K	15 deg
CO 135 027 3 S	White - Black	3 x 9	2300 lm	3000 K	15 deg
CO 135 027 4 S	White - Black	3 x 9	2300 lm	4000 K	15 deg
CO 115 027 2 M	White	3 x 9	2300 lm	2700 K	38 deg
CO 115 027 3 M	White	3 x 9	2300 lm	3000 K	38 deg
CO 115 027 4 M	White	3 x 9	2300 lm	4000 K	38 deg
CO 125 027 2 M	Black	3 x 9	2300 lm	2700 K	38 deg
CO 125 027 3 M	Black	3 x 9	2300 lm	3000 K	38 deg
CO 125 027 4 M	Black	3 x 9	2300 lm	4000 K	38 deg
CO 135 027 2 M	White - Black	3 x 9	2300 lm	2700 K	38 deg
CO 135 027 3 M	White - Black	3 x 9	2300 lm	3000 K	38 deg
CO 135 027 4 M	White - Black	3 x 9	2300 lm	4000 K	38 deg
CO 115 027 2 F	White	3 x 9	2300 lm	2700 K	60 deg
CO 115 027 3 F	White	3 x 9	2300 lm	3000 K	60 deg
CO 115 027 4 F	White	3 x 9	2300 lm	4000 K	60 deg
CO 125 027 2 F	Black	3 x 9	2300 lm	2700 K	60 deg
CO 125 027 3 F	Black	3 x 9	2300 lm	3000 K	60 deg
CO 125 027 4 F	Black	3 x 9	2300 lm	4000 K	60 deg
CO 135 027 2 F	White - Black	3 x 9	2300 lm	2700 K	60 deg
CO 135 027 3 F	White - Black	3 x 9	2300 lm	3000 K	60 deg
CO 135 027 4 F	White - Black	3 x 9	2300 lm	4000 K	60 deg

Light Distribution Curves



AEWIS

We reserve the right for technical and design changes
For latest product update please refer www.aewis.com