

# LUNA



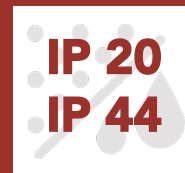
SIZES



WATTS



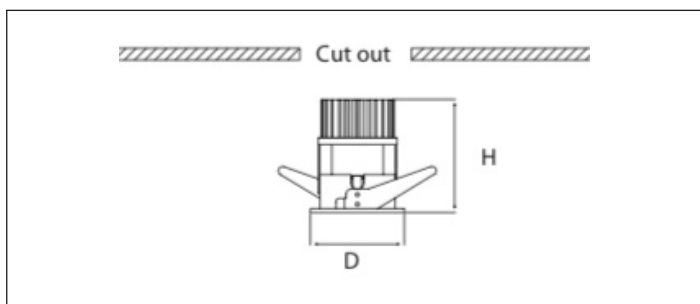
BEAM ANGLES



INGRESS

# LUNA

recessed luminaires  
round | fixed



## Dimensions (mm)

	D	H	Cut Out
Size 1	85	108	78

Luna downlight collection offers options to chose from wattages between 6W - 12W in all standard symmetric beam options and as made available in a discrete single size 'small aperture' option within the standard color spectrums.

The complete range is IP20 and IP44 suitable for indoor applications as offered.

CCT of 5000K and 6000K are also available on request.

Standard protocol for fixed output driver is offered in our article coding. Dimmable driver options are available on request.

## Technical Data

**CREE** **bridgelux** **EPISTAR**

Body	Die Cast Aluminium
LED Type	COB
Colour Deviation	<2 SDCM
Colour Rendering Index	+90
Lumen Maintenance	L90 / B10 50000 hours
Driver	Integral
Dimmability	DALI (on request)
IP Rating	IP 20 & IP 44 (on request)
Protection Class	Class II

## Certifications



## Available Options

Light Distribution		Watt	Lumen	Colour Temp	Finishes
15 deg	Spot (S)	6	510	2700 K	White
	38 deg	9	765		
24 deg	Medium (M)	12	1020	3000 K	Black
	60 deg				

## AEWIS

We reserve the right for technical and design changes  
For latest product update please refer [www.aewis.com](http://www.aewis.com)

# LUNA

recessed luminaires  
round | fixed

Size 1	Article Reference	Finish	Watt	Lumen	Colour Temp	Beam Angle
 <p>Dia - 85 mm Height - 108 mm Cutout - 78 mm</p>	LU 111 006 2 S	White	6	510 lm	2700 K	15 deg
	LU 111 006 3 S	White	6	510 lm	3000 K	15 deg
	LU 111 006 4 S	White	6	510 lm	4000 K	15 deg
	LU 121 006 2 S	Black	6	510 lm	2700 K	15 deg
	LU 121 006 3 S	Black	6	510 lm	3000 K	15 deg
	LU 121 006 4 S	Black	6	510 lm	4000 K	15 deg
	LU 131 006 2 S	White - Black	6	510 lm	2700 K	15 deg
	LU 131 006 3 S	White - Black	6	510 lm	3000 K	15 deg
	LU 131 006 4 S	White - Black	6	510 lm	4000 K	15 deg
	LU 111 006 2 M	White	6	510 lm	2700 K	24 deg
	LU 111 006 3 M	White	6	510 lm	3000 K	24 deg
	LU 111 006 4 M	White	6	510 lm	4000 K	24 deg
	LU 121 006 2 M	Black	6	510 lm	2700 K	24 deg
	LU 121 006 3 M	Black	6	510 lm	3000 K	24 deg
	LU 121 006 4 M	Black	6	510 lm	4000 K	24 deg
	LU 131 006 2 M	White - Black	6	510 lm	2700 K	24 deg
	LU 131 006 3 M	White - Black	6	510 lm	3000 K	24 deg
	LU 131 006 4 M	White - Black	6	510 lm	4000 K	24 deg
	LU 111 006 2 F	White	6	510 lm	2700 K	60 deg
	LU 111 006 3 F	White	6	510 lm	3000 K	60 deg
	LU 111 006 4 F	White	6	510 lm	4000 K	60 deg
	LU 121 006 2 F	Black	6	510 lm	2700 K	60 deg
	LU 121 006 3 F	Black	6	510 lm	3000 K	60 deg
	LU 121 006 4 F	Black	6	510 lm	4000 K	60 deg
	LU 131 006 2 F	White - Black	6	510 lm	2700 K	60 deg
	LU 131 006 3 F	White - Black	6	510 lm	3000 K	60 deg
	LU 131 006 4 F	White - Black	6	510 lm	4000 K	60 deg
	LU 111 009 2 S	White	9	765 lm	2700 K	15 deg
	LU 111 009 3 S	White	9	765 lm	3000 K	15 deg
	LU 111 009 4 S	White	9	765 lm	4000 K	15 deg
	LU 121 009 2 S	Black	9	765 lm	2700 K	15 deg
	LU 121 009 3 S	Black	9	765 lm	3000 K	15 deg
	LU 121 009 4 S	Black	9	765 lm	4000 K	15 deg
LU 131 009 2 S	White - Black	9	765 lm	2700 K	15 deg	
LU 131 009 3 S	White - Black	9	765 lm	3000 K	15 deg	
LU 131 009 4 S	White - Black	9	765 lm	4000 K	15 deg	

## AEWIS

We reserve the right for technical and design changes  
For latest product update please refer [www.aewis.com](http://www.aewis.com)

# LUNA

recessed luminaires  
round | fixed

Article Reference	Finish	Watt	Lumen	Colour Temp	Beam Angle
LU 111 009 2 M	White	9	765 lm	2700 K	24 deg
LU 111 009 3 M	White	9	765 lm	3000 K	24 deg
LU 111 009 4 M	White	9	765 lm	4000 K	24 deg
LU 121 009 2 M	Black	9	765 lm	2700 K	24 deg
LU 121 009 3 M	Black	9	765 lm	3000 K	24 deg
LU 121 009 4 M	Black	9	765 lm	4000 K	24 deg
LU 131 009 2 M	White - Black	9	765 lm	2700 K	24 deg
LU 131 009 3 M	White - Black	9	765 lm	3000 K	24 deg
LU 131 009 4 M	White - Black	9	765 lm	4000 K	24 deg
LU 111 009 2 F	White	9	765 lm	2700 K	60 deg
LU 111 009 3 F	White	9	765 lm	3000 K	60 deg
LU 111 009 4 F	White	9	765 lm	4000 K	60 deg
LU 121 009 2 F	Black	9	765 lm	2700 K	60 deg
LU 121 009 3 F	Black	9	765 lm	3000 K	60 deg
LU 121 009 4 F	Black	9	765 lm	4000 K	60 deg
LU 131 009 2 F	White - Black	9	765 lm	2700 K	60 deg
LU 131 009 3 F	White - Black	9	765 lm	3000 K	60 deg
LU 131 009 4 F	White - Black	9	765 lm	4000 K	60 deg
LU 111 012 2 S	White	12	1020 lm	2700 K	15 deg
LU 111 012 3 S	White	12	1020 lm	3000 K	15 deg
LU 111 012 4 S	White	12	1020 lm	4000 K	15 deg
LU 121 012 2 S	Black	12	1020 lm	2700 K	15 deg
LU 121 012 3 S	Black	12	1020 lm	3000 K	15 deg
LU 121 012 4 S	Black	12	1020 lm	4000 K	15 deg
LU 131 012 2 S	White - Black	12	1020 lm	2700 K	15 deg
LU 131 012 3 S	White - Black	12	1020 lm	3000 K	15 deg
LU 131 012 4 S	White - Black	12	1020 lm	4000 K	15 deg
LU 111 012 2 M	White	12	1020 lm	2700 K	24 deg
LU 111 012 3 M	White	12	1020 lm	3000 K	24 deg
LU 111 012 4 M	White	12	1020 lm	4000 K	24 deg
LU 121 012 2 M	Black	12	1020 lm	2700 K	24 deg
LU 121 012 3 M	Black	12	1020 lm	3000 K	24 deg
LU 121 012 4 M	Black	12	1020 lm	4000 K	24 deg
LU 131 012 2 M	White - Black	12	1020 lm	2700 K	24 deg
LU 131 012 3 M	White - Black	12	1020 lm	3000 K	24 deg
LU 131 012 4 M	White - Black	12	1020 lm	4000 K	24 deg

## AEWIS

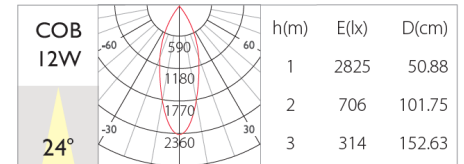
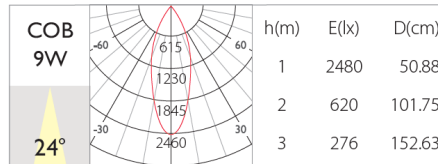
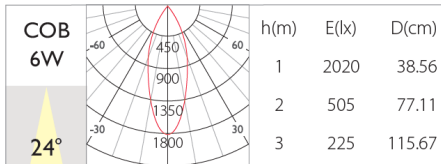
We reserve the right for technical and design changes  
For latest product update please refer [www.aewis.com](http://www.aewis.com)

# LUNA

recessed luminaires  
round | fixed

Article Reference	Finish	Watt	Lumen	Colour Temp	Beam Angle
LU 111 012 2 F	White	12	1020 lm	2700 K	60 deg
LU 111 012 3 F	White	12	1020 lm	3000 K	60 deg
LU 111 012 4 F	White	12	1020 lm	4000 K	60 deg
LU 121 012 2 F	Black	12	1020 lm	2700 K	60 deg
LU 121 012 3 F	Black	12	1020 lm	3000 K	60 deg
LU 121 012 4 F	Black	12	1020 lm	4000 K	60 deg
LU 131 012 2 F	White - Black	12	1020 lm	2700 K	60 deg
LU 131 012 3 F	White - Black	12	1020 lm	3000 K	60 deg
LU 131 012 4 F	White - Black	12	1020 lm	4000 K	60 deg

## Light Distribution Curves



## AEWIS

We reserve the right for technical and design changes  
For latest product update please refer [www.aewis.com](http://www.aewis.com)